

A rooftop pool deck with lounge chairs and a view of a modern building and the ocean. The scene is captured from an elevated perspective, showing a wooden deck with several lounge chairs and small round tables. A swimming pool is visible in the background, with a modern building and the ocean in the distance. The sky is blue with some clouds.

Creapool Panel Systems

Titles



01 Creapool Panel Genel Özellikleri

04 Example Uses

02 Advantages

05 Material Setup

03 Product Comparison

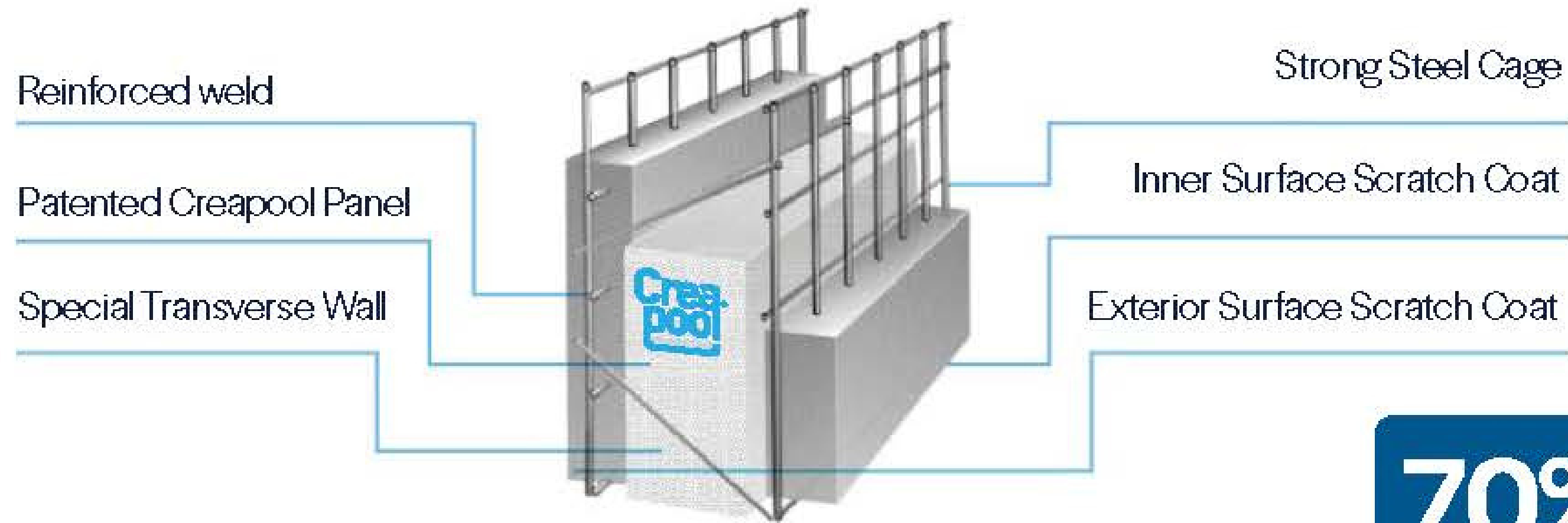
Creapool Panel General Features

Innovative material

Creapool panel is a special building material that offers many important advantages over the disadvantages of traditional wall and roof systems.

It consists of a specially developed strong steel cage and thermal insulation material inside. While providing strength with a steel cage, it can contain much more heat insulation material than in ordinary systems. Thus, it manages to be both light, thin and durable.

It is also very easy to assemble as it is produced in ready-made blocks. In short, Creapool Panel increases the quality while reducing the time and costs of constructions thanks to its ease of application, thinness, durability and flexibility.



Reinforced weld

Patented Creapool Panel

Special Transverse Wall

Strong Steel Cage

Inner Surface Scratch Coat

Exterior Surface Scratch Coat

70%
Complete
Faster

Lower your
concrete and
iron need
50%

40%
Provides Cost
Advantage

70%
Thermal Insulation
Advantage Compared
to Concrete

Creapool panels are lightweight, they can be easily removed and applied by a single person. They are easily placed like game blocks and simply linked together. When the special surface plaster is applied, it creates a stronger structure than concrete. Because it can be cut easily, the pool equipment can be placed easily, and oval and circular forms can be easily created with its shapeable structure. When the plaster layer dries, it creates a perfect surface for the insulation membrane.

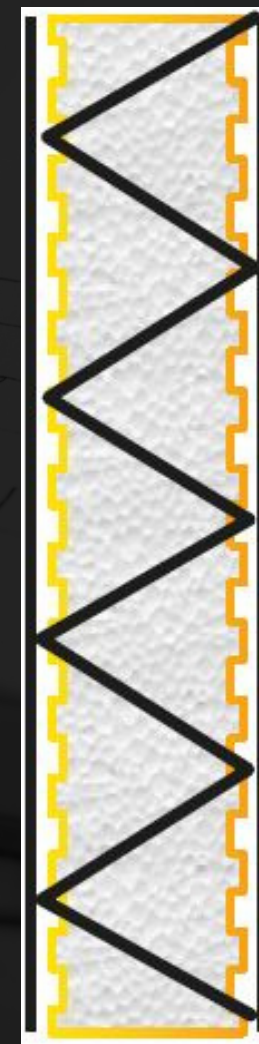
Panel Features



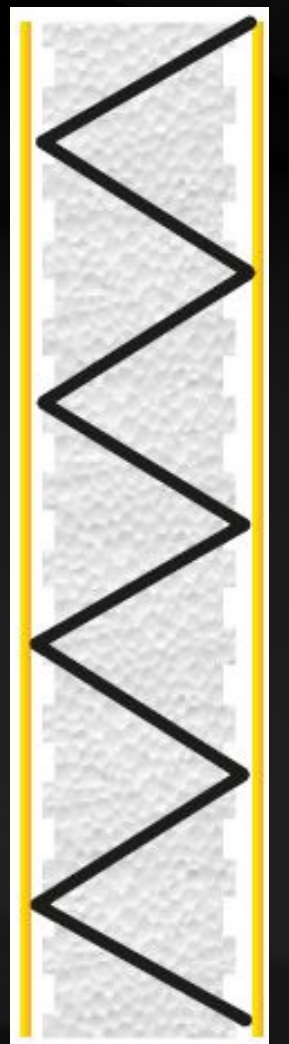
The flexible and strong exterior structure of the panel consists of steel mats composed of 5cm x 5 cm grids at both sides.



The mats at both sides are attached to each other with a special mesh of 3mm-diameter hot-dip galvanized wires with a steel strength of 650-750/m².



There is a special corrugated EPS panel, with density 16kg/m³ and thickness 8 cm, for holding the plaster rapidly.



Usage Areas



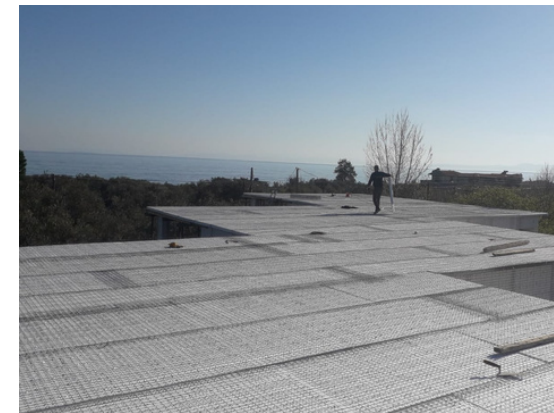
Inner Wall Partition

Exterior Wall



Sound and Heat Insulation

Roof Decking

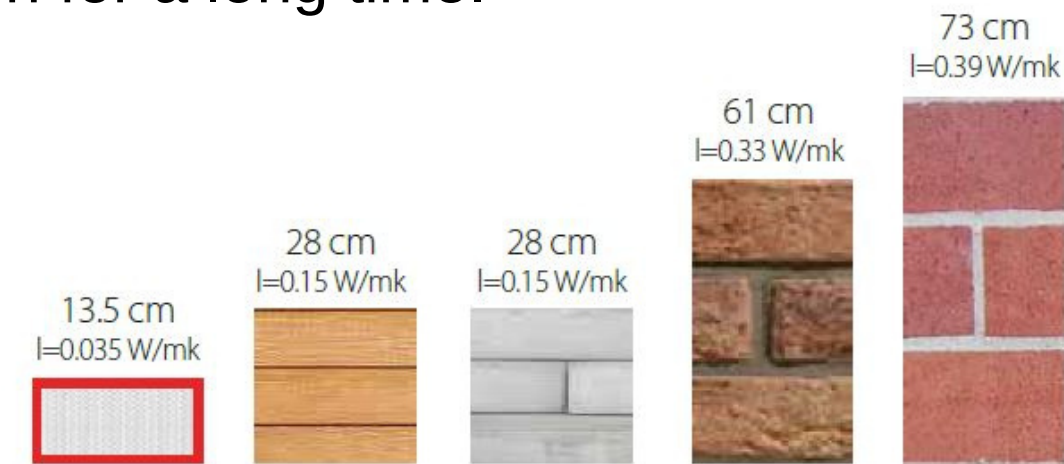


Single Storey Buildings

Creapool Panel Advantages

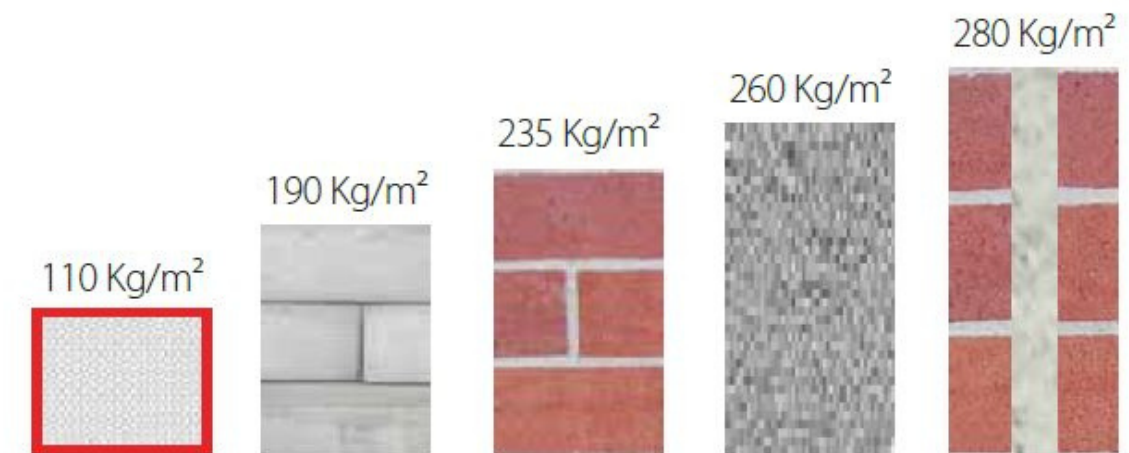
Thermal Insulation Advantage

To provide the same thermal insulation values much less than traditional materials thickness Ribat Panel is sufficient. Top quality fireproof EPS, steel cage eternal as it will remain very sheltered inside. It provides high insulation for a long time.



Weight Advantage

Ribat Panel has a very high load-bearing less weight (5.4 kg/m² net, 110 kg/m² plastered). It reduces the building weight and directly affects the cost.



Advantages



Thermal
Insulation



Fire
Resistant



Prevent
Moisture



Noise
Insulation



Reduce
Building Load



Used
Everywhere



Money
Saving



Accelerate
Construction



Increase The
Net Area

Product Comparison



	Crea pool	Gaz Beton	Tuğla	Bims
Montaj Süresi	●●●●	●●	●	●
Anahtar Teslim Maliyet	●●●●	●	●●	●●
Isı Yalıtımı	●●●●	●●	●	●
Hafiflik	●●●●	●●	●	●
Ömür	●●●●	●	●	●
Alan Kazanımı	●●●●			
Depreme Dayanıklılık	●●●●	●●	●	●
Nemi Önleme	●●●●			
Esneklik	●●●●	●	●	●
Yüksek Duvar İmalatı	●●●●	●●	●●	●●

Example Uses

(Mesa Yeşilkaya)



Creapool makes your dream come true...



Example Uses

(Mesa Yeşilkaya)



Example Uses

(Mesa Yeşilkaya)



Example Uses



Example Uses

(Florya-Metin Oktay)



Example Uses

(Florya-Metin Oktay)



Example Uses

(Florya-Metin Oktay)



Example Uses

(Florya-Metin Oktay)



Example Uses

(Karaköy-Marriot Hotel)



Example Uses

(Karaköy-Marriot Hotel)



Example Uses

(Karaköy-Marriot Hotel)



Example Uses



Example Uses



Example Uses



0 A9 2020
/10/15 14:51 Kırklareli Merkez, Kırklareli

Example Uses



Example Uses



Example Uses



Example Uses



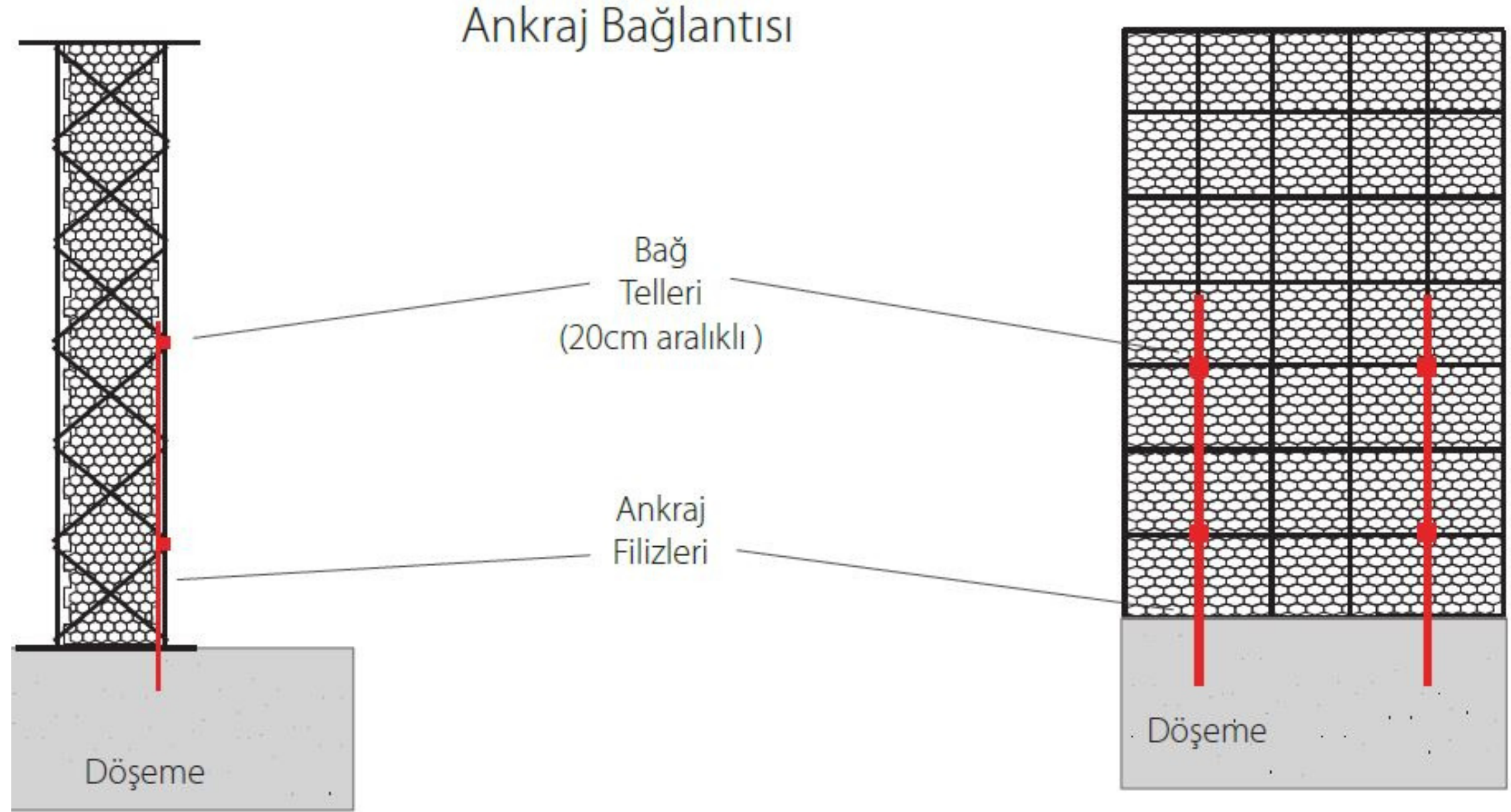
Example Uses



Example Uses

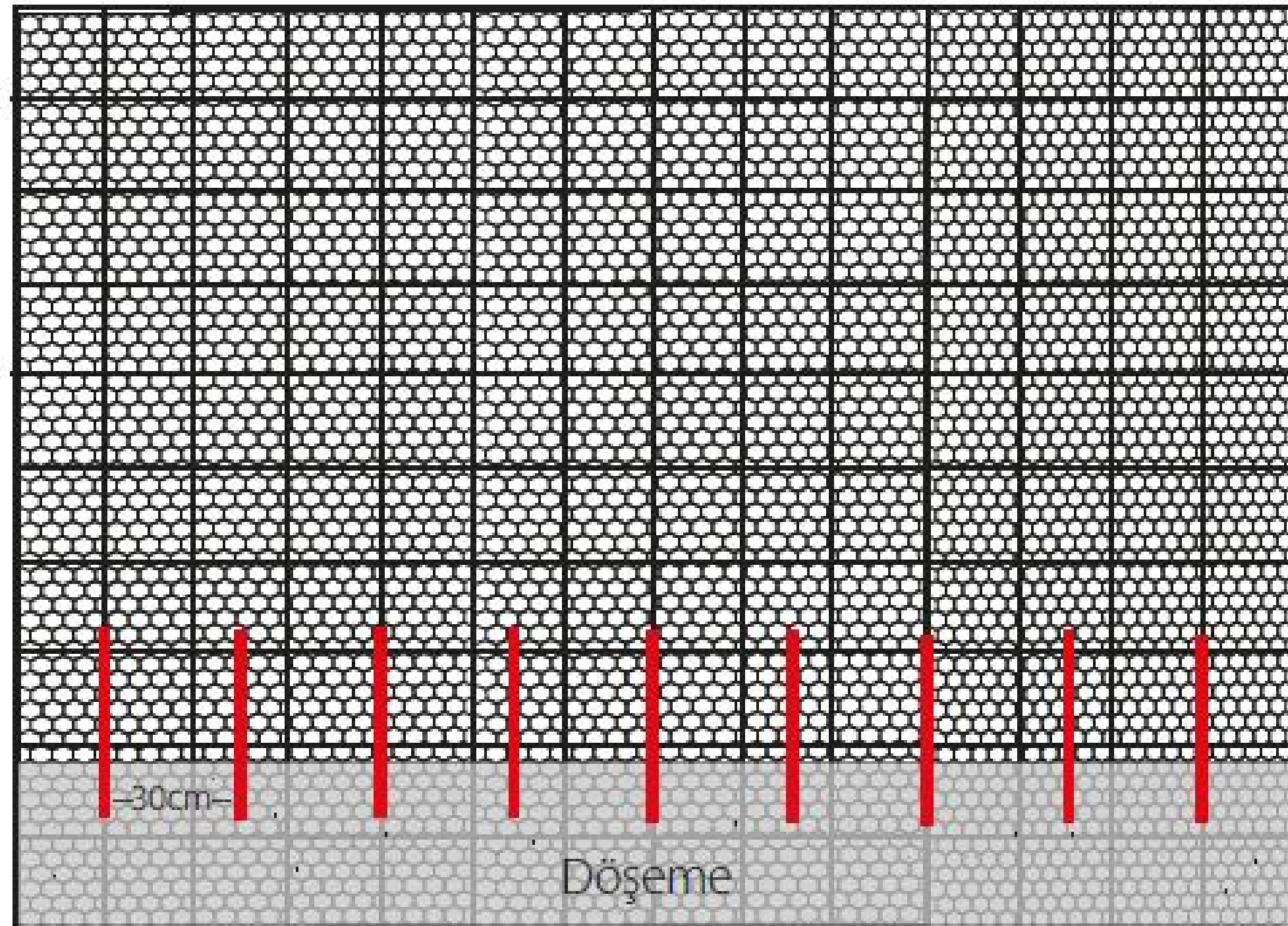
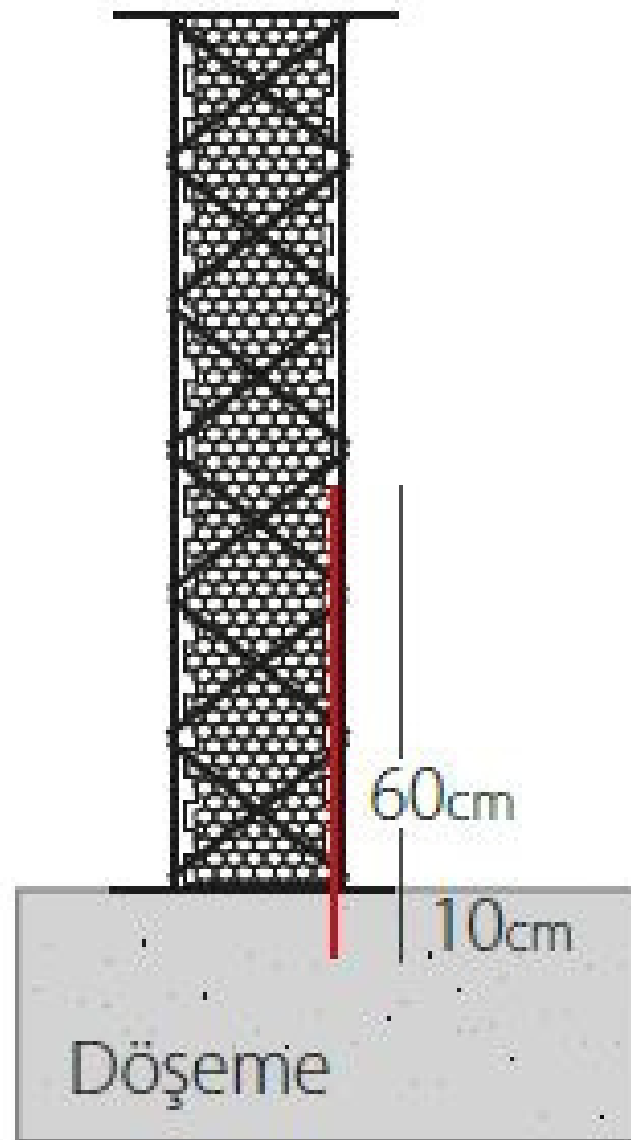


Material Setup (Anchor Connection)



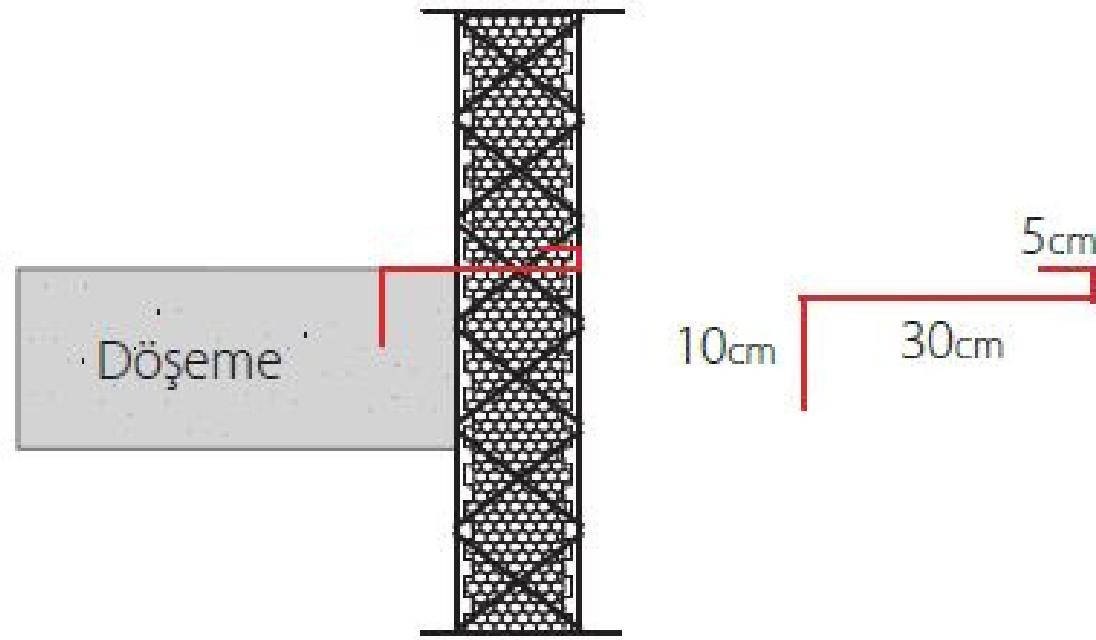
Material Setup

5

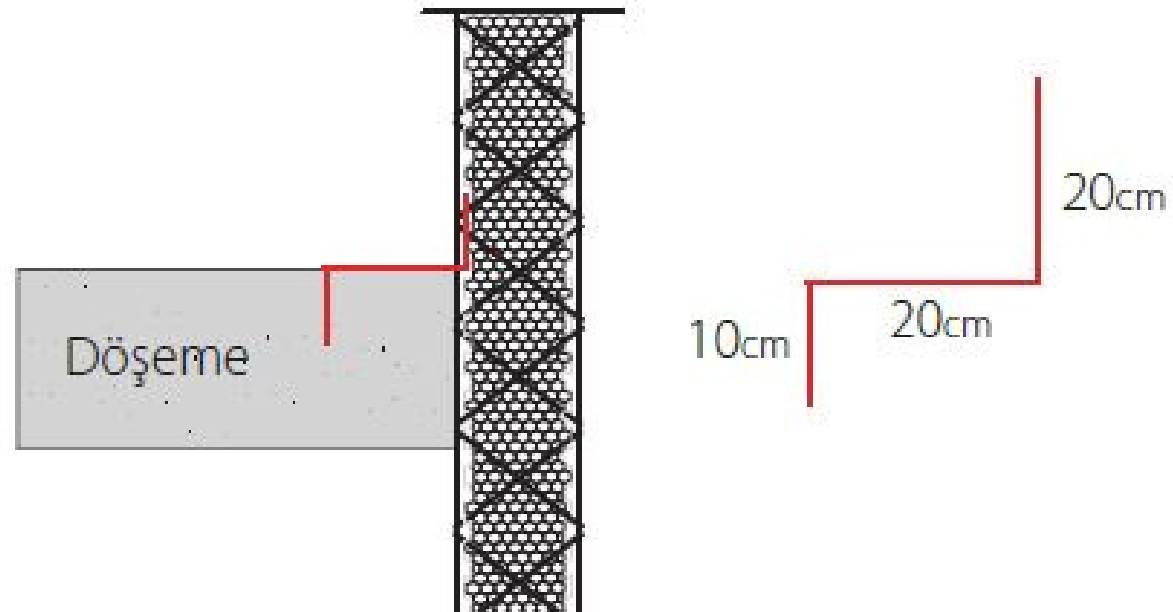


Material Setup

Kanca Filiz Kullanımı



Z Filiz Kullanımı



20cm aralıklarla döşemeden çıkan Z filiz ve kanca filizler (sırası ile) panele bağlanır.

